

PRODUCT INFORMATION PACKET

Model No: 056T17V5345
Catalog No: N308
3/4,1725,TENV,56,3/60/208-230/460
General Purpose Motors



Regal and Marathon are trademarks of Regal Rexnord Corporation or one of its affiliated companies.
©2021 Regal Rexnord Corporation, All Rights Reserved. MC017097E



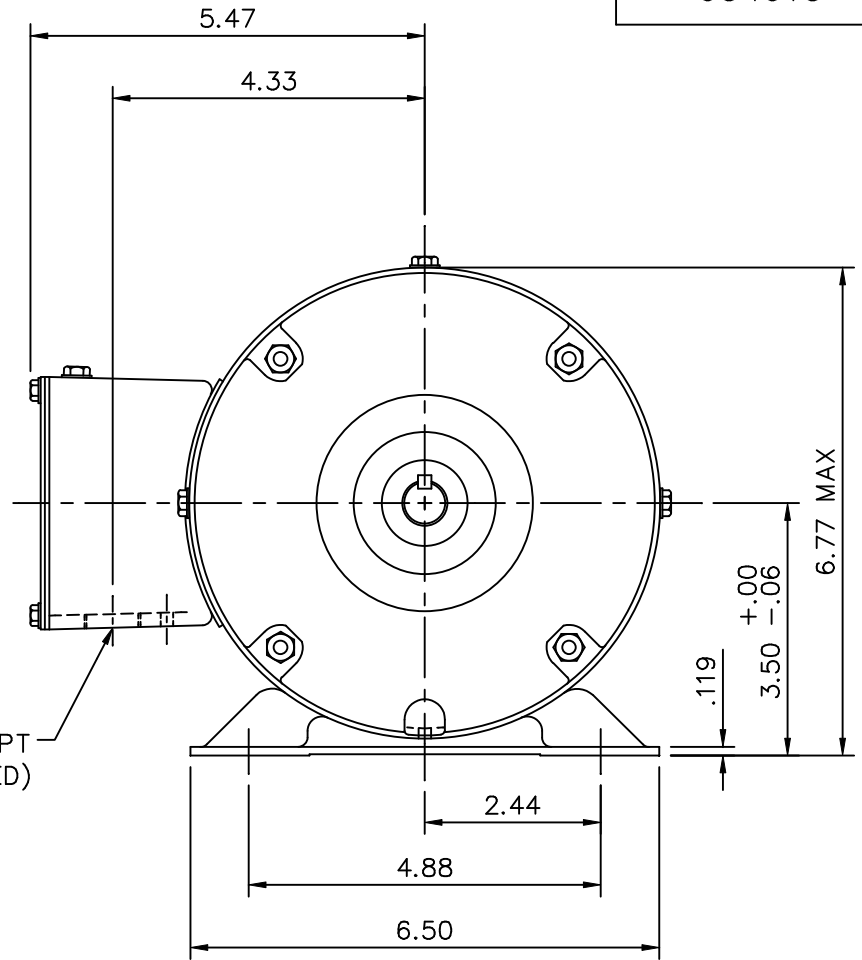
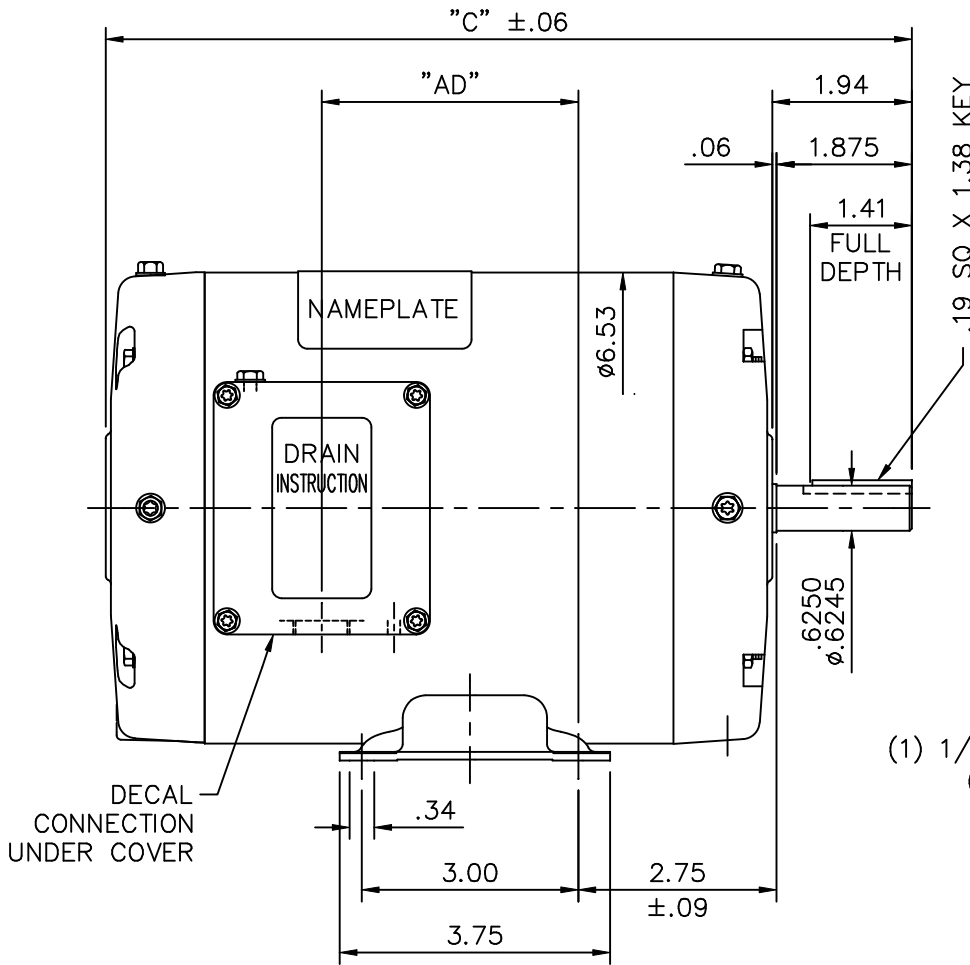
Nameplate Specifications

Output HP	0.75 Hp	Output KW	0.56 kW
Frequency	60 Hz	Voltage	208-230/460 V
Current	2.5/1.3 A	Speed	1725 rpm
Service Factor	1.15	Phase	3
Efficiency	80 %	Power Factor	70
Duty	Continuous	Insulation Class	F
Design Code	B	KVA Code	K
Frame	56	Enclosure	Totally Enclosed Non Ventilated
Thermal Protection	No	Ambient Temperature	40 °C
Drive End Bearing Size	6205	Opp Drive End Bearing Size	6203
UL	Recognized	CSA	Y
CE	Y	IP Code	55
Number of Speeds	1		

Technical Specifications

Electrical Type	Squirrel Cage Induction Run	Starting Method	Across The Line
Poles	4	Rotation	Reversible
Mounting	Rigid Base	Motor Orientation	Horizontal
Drive End Bearing	Ball	Opp Drive End Bearing	Ball
Frame Material	Rolled Steel	Shaft Type	T
Assembly/Box Mounting	F1 ONLY		
Outline Drawing	034913-550	Connection Drawing	00501001ME

This is an uncontrolled document once printed or downloaded and is subject to change without notice. Date Created:10/12/2021



(1) 1/2-14 NPT (PLUGGED)

DASH NO.	"C"	"AD"
500	9.68	2.06
550	10.18	2.56
600	10.68	3.06
650	11.18	3.56

SPECIAL FEATURES:

- 1) SHAFT SEAL & V-RING
- 2) DRAIN HOLES IN ENDBELLS & CONDUIT BOX
- 3) STAINLESS STEEL SHAFT, HARDWARE & NAMEPLATE
- 4) GASKETS THROUGHOUT

		TOLERANCES UNLESS SPECIFIED		MARATHON ELECTRIC		DRAWN	RDW 01/11/02
		DEC.	INCHES	TITLE		CHK	
		.X	±.1	OUTLINE - 56 FRAME		APPD	KMM 01/11/02
		.XX	±.03	TENV - RIGID		SCALE	3=8
		.XXX	±.005	MAT'L.		REF	
01	L.E. ENDBELL WAS 021209.27	KMM 8/16/02	.XXXX	±.0005	FINISH		FMF
NO.	REVISION	BY & DATE	CHK	ANG	±1/2'	PREV	
THIS DRAWING IN DESIGN AND DETAIL IS OUR PROPERTY AND MUST NOT BE USED EXCEPT IN CONNECTION WITH OUR WORK ALL RIGHTS OF DESIGN AND INVENTION ARE RESERVED THIS IS AN ELECTRONICALLY GENERATED DOCUMENT - DO NOT SCALE THIS PRINT		RFP	01/11/02	CAD FILE	034913	SIZE	DRAWING NO.
		DIST				A	034913
							REV.
							01

